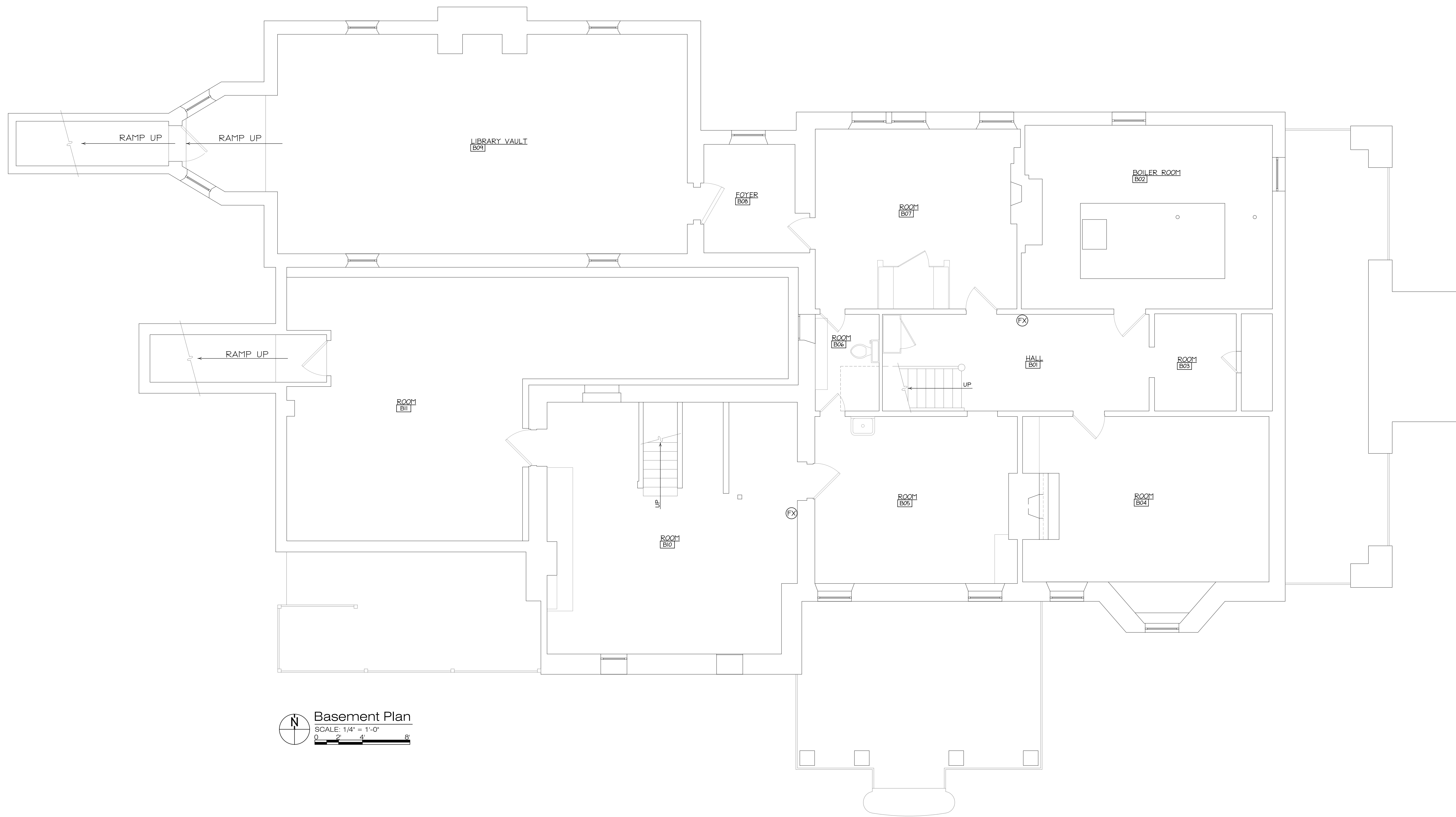
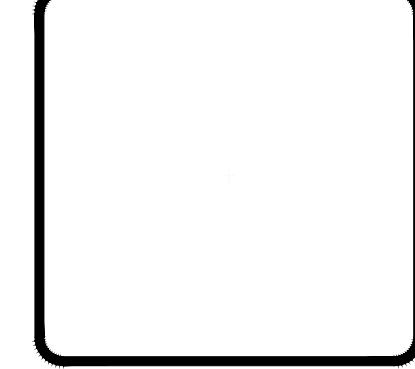
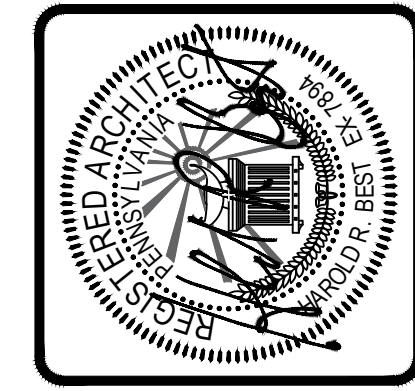


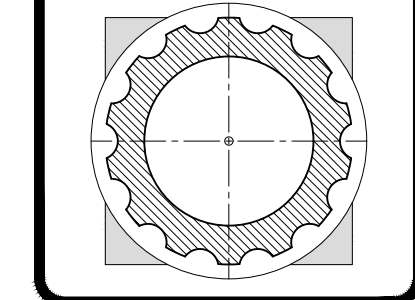
P:\ORA Scheide House - Safety & Security 009-21\ORA Scheide House - Safety & Security 009-21.dwg, 5/25/2021 3:36:41 PM, © Struxures 2021



Basement Plan
 SCALE: 1/4" = 1'-0"
 0 2 4 8



STRUXURES
 ARCHITECTURE / CONSTRUCTION
 9545 State Route 257
 Seneca, PA 16346
 Phone: (814) 676-1432
 Phone / Fax: (814) 676-1532

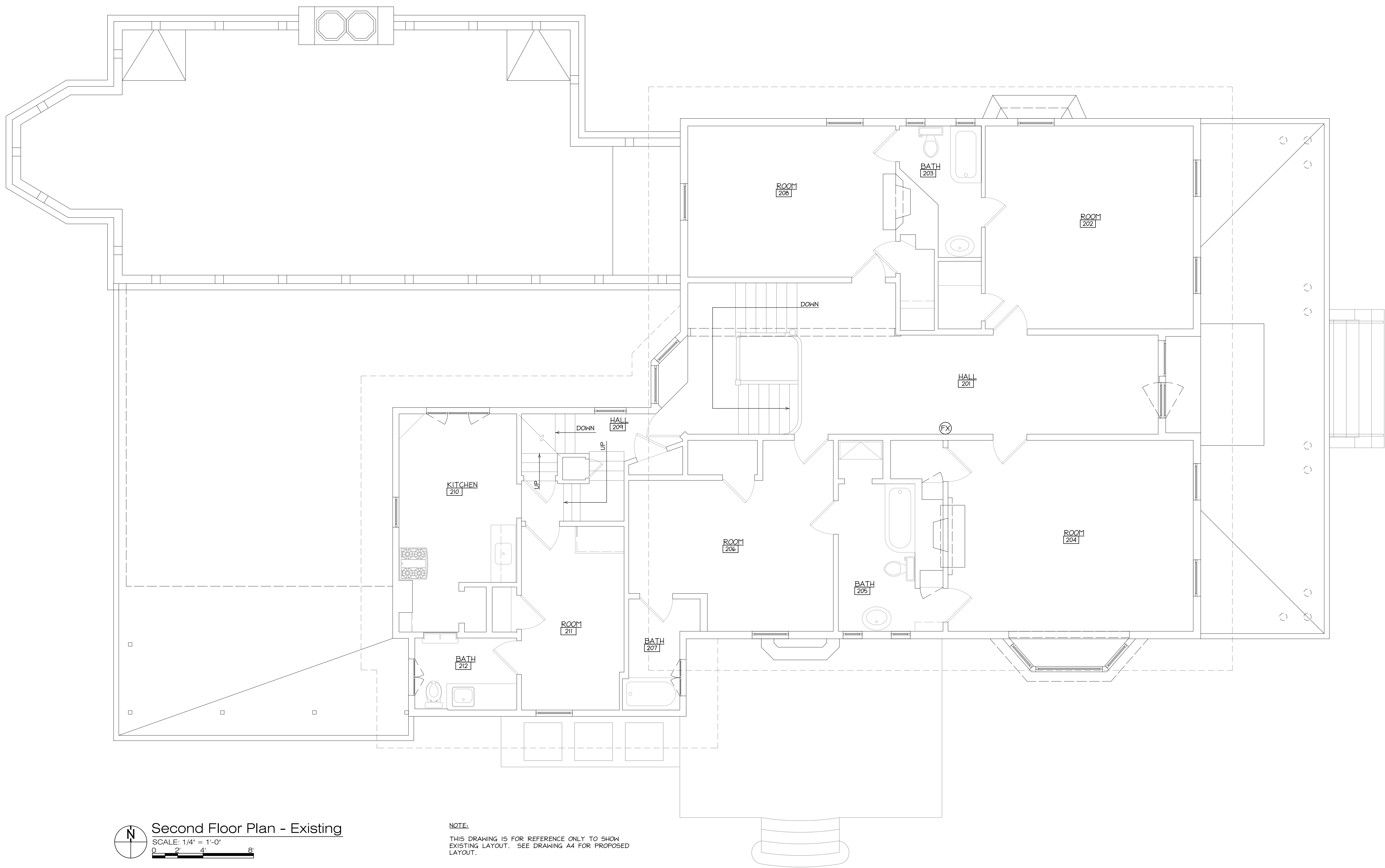


Revisions

Phase IV Renovations - Safety & Security
 William H. Scheide House
 221 North Washington Street, Titusville, PA 16354
 Drawing Name
Basement Plan

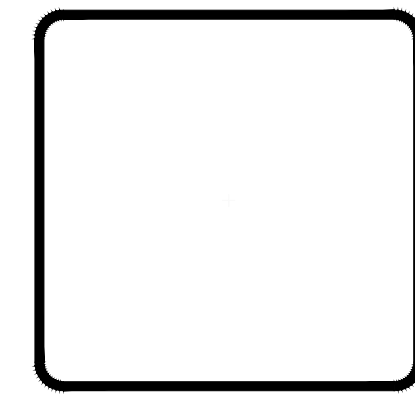
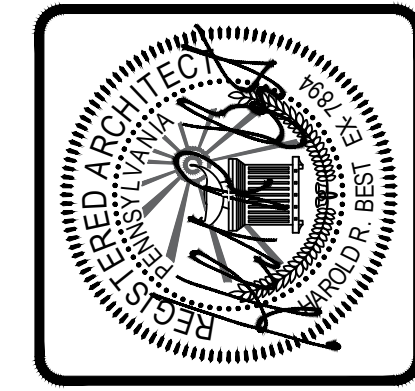
Scale:	As Noted
Job Number:	009-21
Date:	05.20.2021
Drawn:	DMG
Check:	HRB
Drawing Number:	

A1

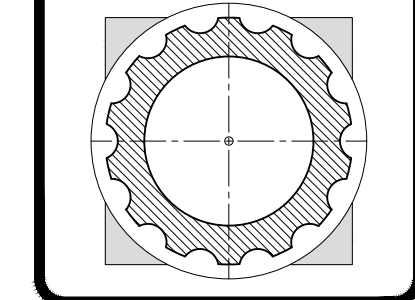


Second Floor Plan - Existing
SCALE: 1/4" = 1'-0"
0 2 4 8

NOTE:
THIS DRAWING IS FOR REFERENCE ONLY TO SHOW EXISTING LAYOUT. SEE DRAWING A4 FOR PROPOSED LAYOUT.



STRUXURES
ARCHITECTURE / CONSTRUCTION
9545 State Route 257
Seneca, PA 16346
Phone: (814) 676-1432
Phone / Fax: (814) 676-1532



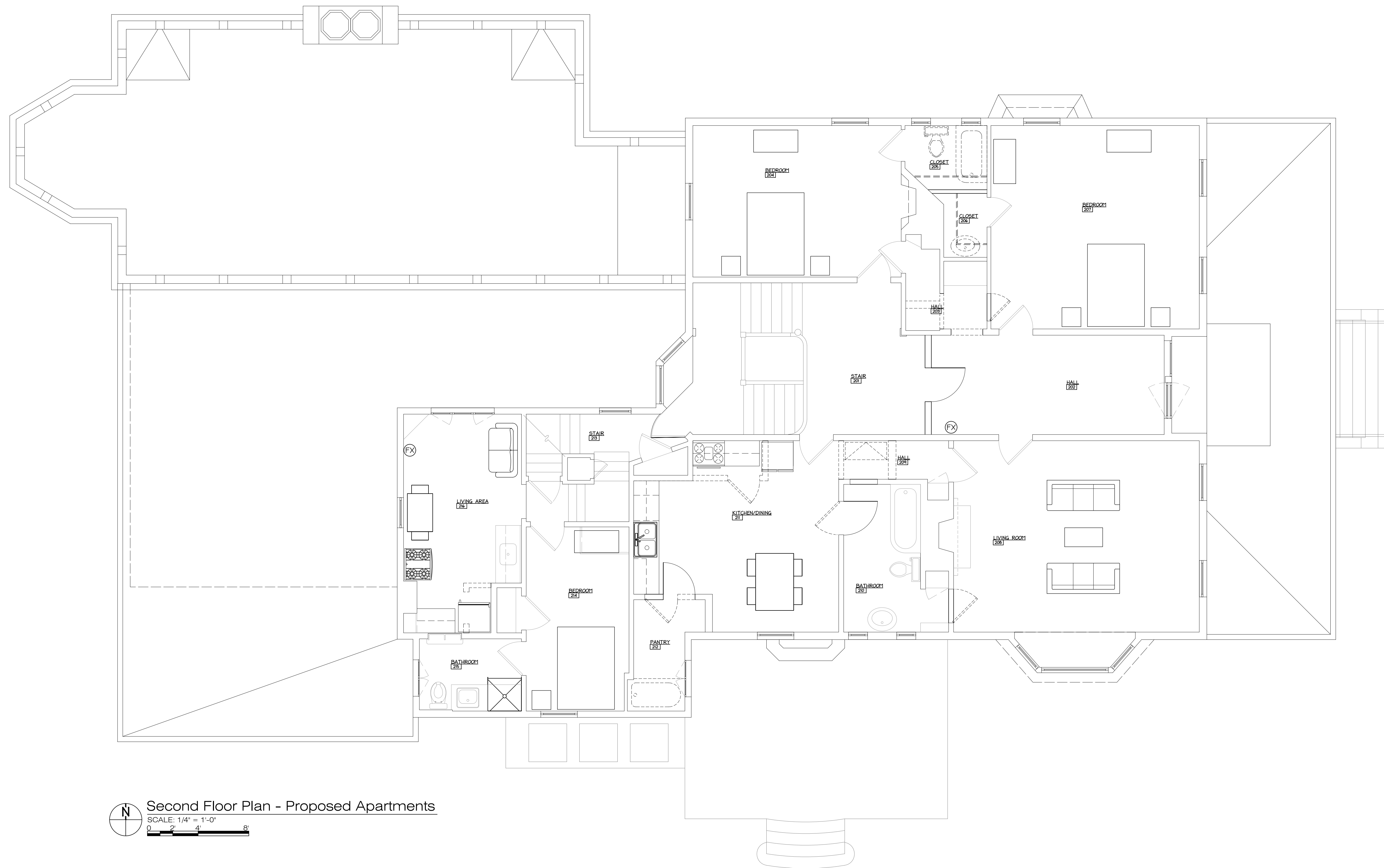
Revisions

No.	Description
-----	-------------

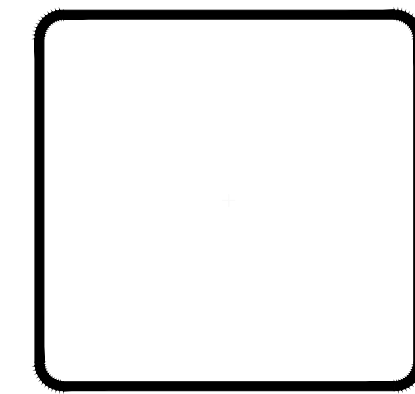
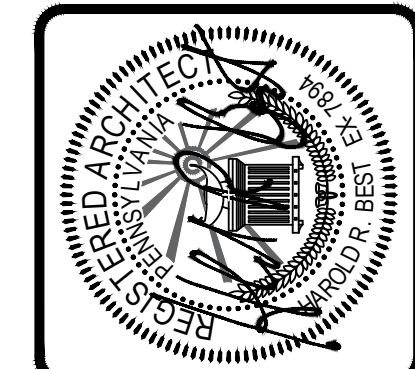
Phase IV Renovations - Safety & Security
William H. Scheide House
221 North Washington Street, Titusville, PA 16354
Drawing Name
Second Floor Plan - Existing

Scale:	As Noted
Job Number:	009-21
Date:	05.20.2021
Drawn:	DMG
Check:	HRB
Drawing Number:	

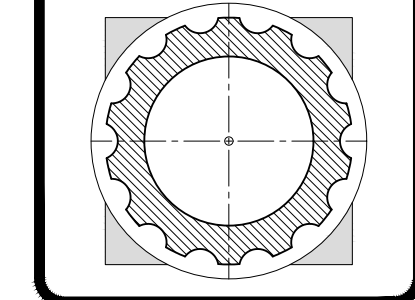
A3



 **Second Floor Plan - Proposed Apartments**
 SCALE: 1/4" = 1'-0"
 0 2 4 8



STRUXURES
 ARCHITECTURE / CONSTRUCTION
 9545 State Route 257
 Seneca, PA 16346
 Phone: (814) 676-1432
 Phone / Fax: (814) 676-1532

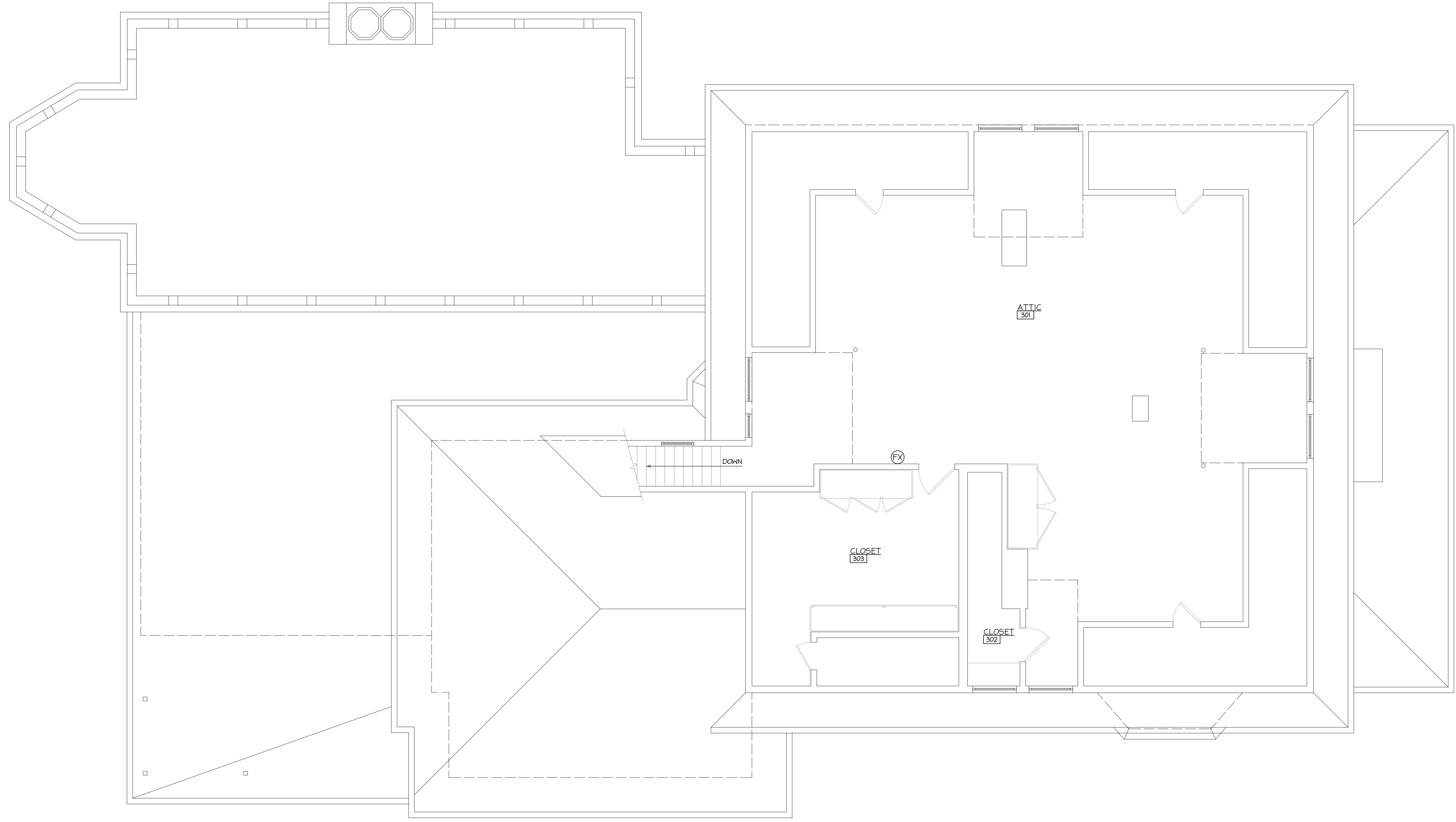


Revisions

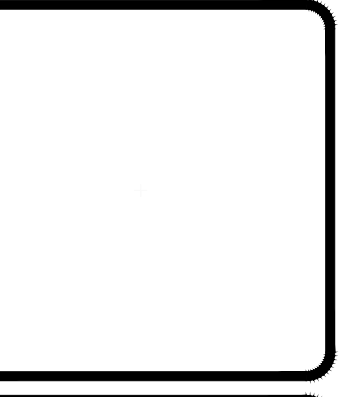
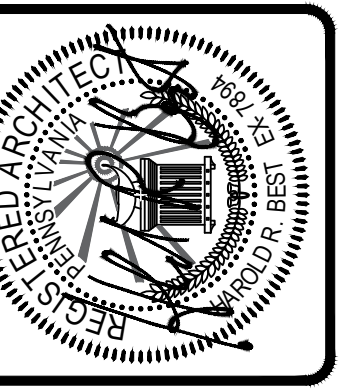
Phase IV Renovations - Safety & Security
 William H. Scheide House
 221 North Washington Street, Titusville, PA 16354
 Drawing Name
 Second Floor Plan - Proposed Apartments

Scale:	As Noted
Job Number:	009-21
Date:	05.20.2021
Drawn:	DMG
Check:	HRB
Drawing Number:	

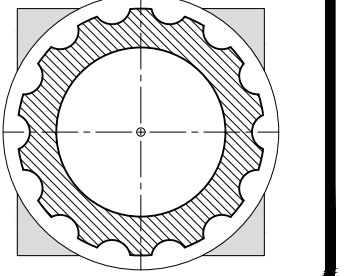
A4



Attic Plan
SCALE: 1/4" = 1'-0"
0 2 4 8



STRUXURES
ARCHITECTURE / CONSTRUCTION
9545 State Route 257
Seneca, PA 16346
Phone: (814) 676-1432
Phone / Fax: (814) 676-1532



Revisions

No.	Description
-----	-------------

Phase IV Renovations - Safety & Security
William H. Scheide House
221 North Washington Street, Titusville, PA 16354
Drawing Name
Attic Plan

Scale:	As Noted
Job Number:	009-21
Date:	05.20.2021
Drawn:	DMG
Check:	HRB
Drawing Number:	

A5